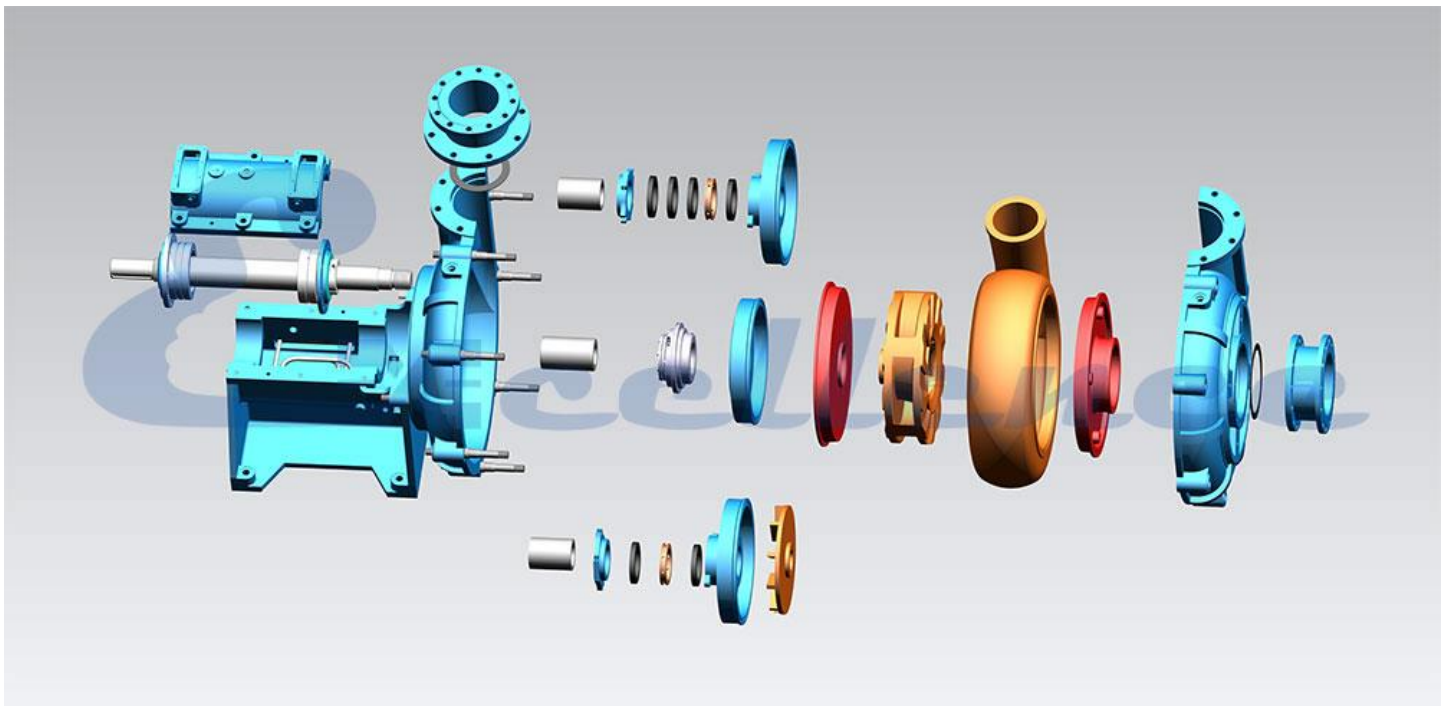




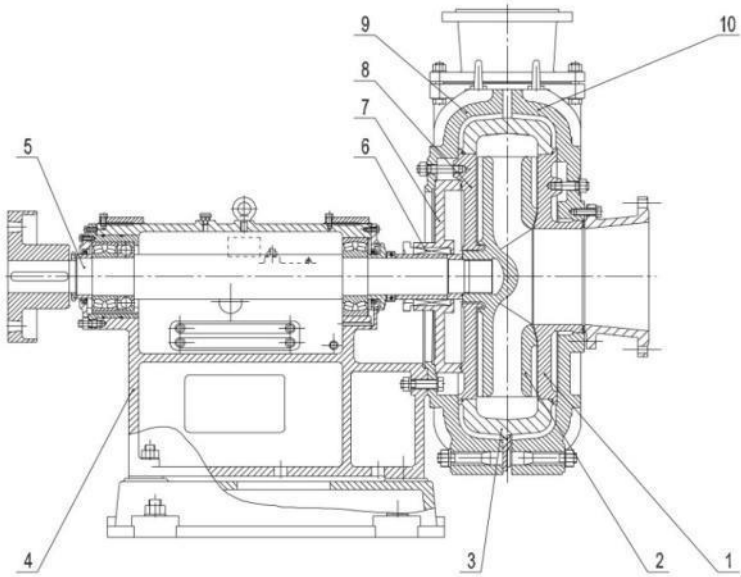
EZ series is a new generation pumps based on modern hydromechanics and mechanics theories. It has a complete range of pump models covering all kinds of working conditions. EZ series has been widely used in many Chinese projects, while more and more overseas customers recognize its superb performance.



- CAM design is based on the theories of modern hydromechanics and mechanics.
- Outer casing is made of grey cast iron or ductile cast iron.
- The wet parts adopt interchangeable anti-abrasive and anti-corrosive alloy material.
- The metric bearing is lubricated by oil; scientific lubricating and cooling system ensure that the bearing operates under low temperature.
- Complete range of pump models can meet various requirements and site working conditions.

❖ Structure

Series EZ Structural Drawing:



1. Throatbush
2. Impeller
3. Volute liner
4. Frame
5. Shaft
6. Mechanical seal
7. Mechanical seal box
8. Frame plate liner plate
9. Frame plate
10. Cover plate

Note: this is the basic drawing of structure.
There would be some differences up to varied discharge size.



Bearing Assembly

Scientific design with better cooling and lubricating performance than traditional grease lubrication

- Lubricated by oil;
- Easy maintenance;
- Prolong rotor service life.

Shaft Seal

There are three standard shaft seal methods:

- Packing seal: it is the lowest in cost.
- Expeller seal with packing seal: it is most commonly used.
- Mechanical seal: it has best seal effect, but high in cost and has strict requirement of flush water.

Material

The wet parts material for standard EZ series pump is high-chrome alloy. This kind of material is wear resistant and has excellent performance under erosive conditions.

- ❖ KmTBCr27: hard carbides within its microstructure provides strong wear resistance
- ❖ KmTBCr28: its hardness is 430 in Brinell and suitable for corrosive applications where pH is below 4.
- ❖ KmTBCr35: its hardness is 450 in Brinell and has much improved corrosion resistance.

❖ Performance Chart

Model	Allowable Max.Power P(Kw)	Clear Water Performance					Impeller Diameter D(mm)	WT. (Kg)
		Capacity Q m ³ /h	Head H(m)	Speed n(r/min)	Top Efficiency η%	NPSH(m)		
300EZ-A100	450	464-1826	15.3-65.2	300-590	81.1	3	88	5265
300EZ-A95	400	441-1735	13.8-58.8	300-590	78.1	3	88	5220
300EZ-A90	560	505-1844	21.2-79.9	400-730	82.8	3.9	85	5005
300EZ-A85	450	477-1742	18.9-71.3	400-730	79.8	3.8	85	4965
300EZ-A70	630	635-2333	16-76.8	490-980	80.4	3.9	92	3560
300EZ-A65	500	589-2166	13.8-66.2	490-980	77.4	3.7	92	3531
300EZ-A56	250	395-1568	9.7-46	400-980	80.9	3.5	96	3030
250EZ-A103	560	402-1573	29.7-110.5	400-730	74.5	2.8	69	5085
250EZ-A96	560	403-1466	25.4-93.7	400-730	77.8	3.5	69	5035
250EZ-A90	450	378-1374	22.3-82.4	400-730	73.8	3.4	69	4980
250EZ-A85	800	376-1504	30.1-128.7	490-980	76.5	3.5	76	4530
250EZ-A83	800	367-1469	28.7-122.7	490-980	75.5	3.5	76	4514
250EZ-A80	710	354-1416	26.7-114	490-980	73.5	3.4	76	4490
250EZ-A78	630	415-1796	21.1-102.5	490-980	71.5	3.2	76	4474
250EZ-A75	560	300-1480	20.8-97.5	490-980	77.5	3	72	3480
250EZ-A73	500	292-1441	19.7-92.4	490-980	76.5	3	72	3466
250EZ-A70	450	280-1381	18.1-84.9	490-980	74.5	2.9	72	3446

Model	Allowable Max.Power P(Kw)	Clear Water Performance					Impeller	WT.
		Capacity Q m ³ /h	Head H(m)	Speed n(r/min)	Top Efficiency η%	NPSH(m)	Impeller Diameter D(mm)	(Kg)
250EZ-A68	450	272-1342	17.1-80.1	490-980	73.5	2.7	72	3432
250EZ-A65	315	299-1249	15.4-71	490-980	76.5	3	72	3020
250EZ-A63	315	290-1211	14.4-66.7	490-980	75.9	3	72	3008
250EZ-A60	280	276-1153	13.1-60.5	490-980	73.9	2.8	72	2991
200EZ-A85	560	221-907	32-133.7	490-980	70.5	2.8	54	4110
200EZ-A75	355	225-900	22.8-102.9	490-980	74.1	3	56	3070
200EZ-A73	355	219-876	21.6-97.5	490-980	73.1	3	56	3056
200EZ-A70	315	205-976	19.4-86.4	490-980	75.6	2.8	56	2465
200EZ-A68	315	199-948	18.3-81.5	490-980	74.6	2.8	56	2453
200EZ-A65	250	235-950	16.4-72	490-980	79.6	2.5	62	2323
200EZ-A63	250	228-921	15.4-67.6	490-980	78.6	2.5	62	2311
200EZ-A60	185	218-870	13.9-62	490-980	83.5	2.5	62	2223
200EZ-A58	185	211-841	13-57.9	490-980	82.5	2.5	62	2214
150EZ-A70	185	93-401	20-91.2	490-980	62.3	2	37	2245
150EZ-A65	200	150-600	17.4-75.7	490-980	70.8	2.5	48	2223
150EZ-A63	185	146-582	16.3-71.1	490-980	69.8	2.5	48	2211
150EZ-A60	160	135-550	14.7-63.5	490-980	75.9	2.5	48	2203
150EZ-A58	132	131-532	13.7-59.3	490-980	74.9	2.5	48	2033
150EZ-A55	110	124-504	12.3-53.4	490-980	72.9	2.3	48	2019
150EZ-C58	160	134-596	12.8-61	490-980	69.1	2	75	2063
150EZ-A57	110	95-427	13.2-56.3	490-980	67.8	1.8	32	2023
150EZ-A50	75	115-460	9.5-43.1	490-980	76.8	2.5	48	1735
150EZ-A48	75	111-442	8.7-39.7	490-980	75.8	2.5	48	1728
150EZ-C42	132	142-550	12.1-62.8	700-1480	77.1	2.2	69	1605
100EZ-A50	160	85-360	20.5-100.2	700-1480	69.6	2.5	34	1475
100EZ-A46	132	79-331	17.3-84.8	700-1480	67.6	2.3	34	1461
100EZ-A42	90	66-275	14.7-70.8	700-1480	71	2.5	35	1075
100EZ-A39	75	61-255	12.6-61	700-1480	69	2.4	35	1064
100EZ-B42	90	83-365	12.7-66.8	700-1480	71.6	2.5	40	1085
100EZ-A36	55	61-245	9.7-49.5	700-1480	71.6	2	32	1010
100EZ-A33	45	56-225	8.2-41.6	700-1480	69.6	1.8	32	1003
80EZ-A52	160	51-242	22.1-109.8	700-1480	56.3	2.1	21	1465
80EZ-A42	75	61-204	14.4-70.4	700-1480	66.7	2.5	24	1053
80EZ-A39	55	57-189	12.4-60.7	700-1480	64.7	2.4	24	1042
80EZ-A36	45	46-190	9.6-51.4	700-1480	67.7	2.5	24	980
80EZ-A33	37	43-174	8-43.2	700-1480	65.7	2.3	24	973
65EZ-A30	15	23-79	7.4-34.8	700-1480	63.5	2	19	504
65EZ-A27	11	20-71	6-28.2	700-1480	61.5	1.8	19	500
50EZ-A50	90	27-111	22.3-110.7	700-1480	45.1	3	13	1378
50EZ-A46	55	23-94	17.9-85.8	700-1480	44.7	1.4	14	1082
50EZ-A33	18.5	12-54	7.7-42.5	700-1480	42.1	2.9	13	537
40EZ-A17	7.5	4-23	9-44.6	700-1480	52.4	2.5	11	121

❖ Application

Series EZ slurry pumps are widely used in mining, coal washing, power plant, metallurgy, petrochemical, building material, dredging, and other industrial fields, etc.

Typical Application:

- Iron Ore Dressing Plant
- Copper Concentration Plant
- Gold Mine Concentration Plant
- Molybdenum Concentration Plant
- Potash Fertilizer Plant
- Other Mineral Processing Plants
- Alumina Industry
- Coal Washery
- Power Plant
- Sand Excavation
- Building Material Industry
- Chemical Industry
- Other industries

80EZ-A52 in African Copper Concentration



200EZ-A60 in Mid-East Potash Fertilizer Plant



50EZ-A50 in Mid-East Sodium Silicate Plant

Headquarter:

Add: No.368, Xinshi North Road, Shijiazhuang, Hebei, China 050091.

Beijing Branch:

Add: No.78, East 4th Ring Middle Road, Beijing, China 100124.

Tel: +86-10-59626498

Fax: +86-10-59626499

For inquiries, please send your emails to sales@excellencepump.com

For customer service, please send your emails to service@excellencepump.com